

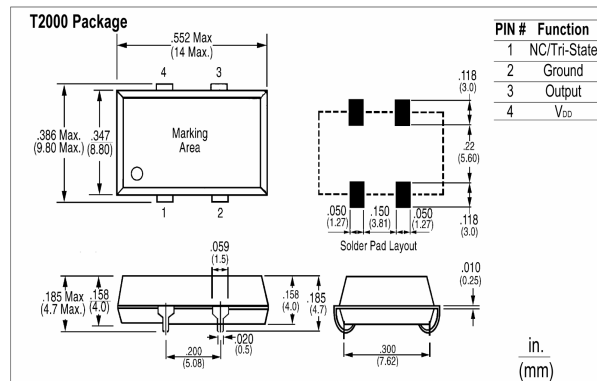


**Tellurian<sup>®</sup>  
Technologies, Inc.**

1801 Hicks Rd. Suite B Rolling Meadows, Illinois 60008  
Ph: 847.934.4141 • Fax: 847.934.4175  
www.telluriantech.com • email: sales@telluriantech.com

## T2000 - 1602N Clock Oscillator

<b>Frequency:</b>		32.0MHz
<b>Temperature Range (Oper.):</b>		-40 to 85°C
<b>Frequency Stability (Note 1):</b>		±50ppm
<b>Input</b>	<b>Voltage:</b>	3.3Volts
	<b>Current:</b>	35mA (max.)
<b>Output</b>	<b>Waveform</b>	HCMOS
	<b>Level</b>	"0" = 0.3V(max); "1" = 3.0V(min)
	<b>Load</b>	15pF
	<b>Symmetry</b>	40 / 60
	<b>Rise/Fall Time</b>	7ns max
	<b>Tri-state?</b>	YES
<b>Package (Holder):</b>		Plastic, J-Lead
<b>Tape and Reel?</b>		Yes
<b>Package Configuration:</b>		SMD
<b>Dimension L x W x Ht. (mm):</b>		14.0 x 9.8 x 4.7



**Note 1: Inclusive of calibration-tolerance @25°C, temperature, voltage, load, shock, vibration and aging.**