

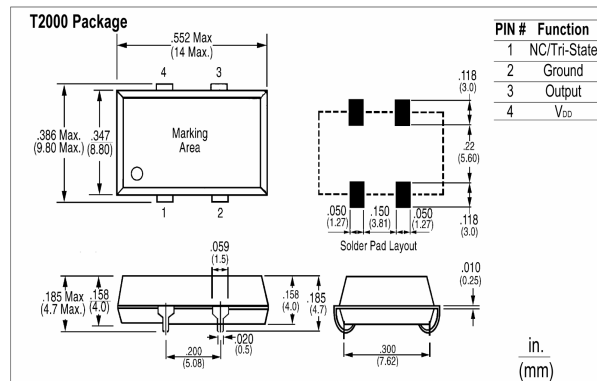


**Tellurian[®]
Technologies, Inc.**

1801 Hicks Rd. Suite B Rolling Meadows, Illinois 60008
 Ph: 847.934.4141 • Fax: 847.934.4175
 www.telluriantech.com • email: sales@telluriantech.com

T2000 - 1602P Clock Oscillator

Frequency:		14.7456MHz
Temperature Range (Oper.):		-40 to 85°C
Frequency Stability (Note 1):		±50ppm
Input	Voltage:	3.3Volts
	Current:	35mA (max.)
Output	Waveform	HCMOS
	Level	"0" = 0.3V(max); "1" = 3.0V(min)
	Load	15pF
	Symmetry	40 / 60
	Rise/Fall Time	7ns max
	Tri-state?	YES
Package (Holder):		Plastic, J-Lead
Tape and Reel?		Yes
Package Configuration:		SMD
Dimension L x W x Ht. (mm):		14.0 x 9.8 x 4.7



Note 1: Inclusive of calibration-tolerance @25°C, temperature, voltage, load, shock, vibration and aging.