

# CLOCK OSCILLATORS

## T4000TP Series LVPECL XO

### Miniature Ultra Low Profile, SMD



#### Features:

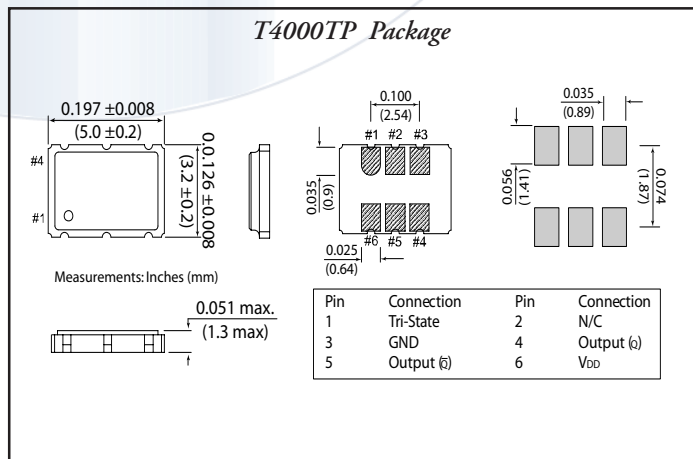
- ❖ PECL Output
- ❖ Low Voltage
- ❖ Ceramic SMD package
- ❖ Tape and Reel Available

#### Model: T4000TP Series Specifications

Parameter	Unit	LVPECL
Frequency Range	MHz	25.00 to 160.00
Operating Temperature Range	°C	See Table
Frequency Stability	ppm	See Table
Supply Voltage	VDC	2.5 or 3.3 ±5%V
Supply Current	mA	55mA typ.; 88mA max.
Load		2.0 V to 50 ohms
Output		LVPECL
Output Voltage		
Logic Low	V	1.62 max.
Logic High	V	1.025 min.
Transition Times (Rise/Fall)	ps	300 typ.; 700 max. (20-80% waveform)
Duty Cycle	%	50 ±5%
Aging	ppm	±3.0ppm/ per year
Storage Temperature	°C	-55 to +125
Tri-State		Pin 1
	V	≥0.7
	V	≤0.3
Start Up Time	ms	10 max.
Phase Jitter (12 kHz to 20 MHz)	ps	1 max.

(1) Inclusive of calibration @ 25°C, Operating Temperature, Input Voltage Change, Load Change, Shock, and Vibration. Tighter stabilities available- contact Factory.

*T4000TP Package*



Temperature	Stability
0 to 70°C	±20, ±25, ±50, ±100
-40 to 85°C	±50, ±100

CLOCK OSCILLATOR: T4000TP Surface Mount LVPECL

CLOCK OSCILLATOR: T4000TP Surface Mount LVPECL

**Tellurian® Technologies, Inc.**

1801 Hicks Road • Rolling Meadows, IL 60008 • Tel 847-934-4141 • Fax 847-934-4175

• Email: info@telluriantech.com • www.telluriantech.com