



TSR39

# SAW RESONATORS

## TSR39 Series SAW Resonator

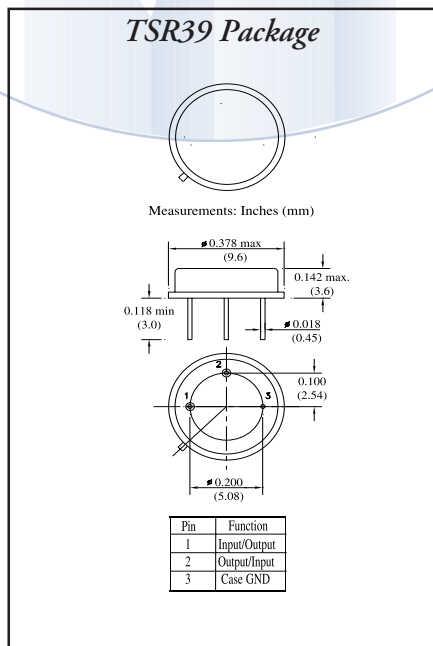
### Features:

- ◆ Stable Oscillators
- ◆ Application: Remote Control
- ◆ Round TO-39 package
- ◆ Hermetically Sealed

SAW RESONATORS: TSR39 Series

SAW RESONATORS: TSR39 Series Resonator

Model	Frequency		Insertion Loss		Terminating Impedance
	MIN (MHz)	TYP (MHz)	MAX (MHz)	MAX (dB)	TYP (Ohms)
TSR260	259.93	260.00	260.08	2.5	50
TSR3033	303.25	303.33	303.40	2.5	50
TSR3038	303.80	303.88	303.95	2.5	50
TSR3043	304.23	304.30	304.38	2.2	50
TSR3085	307.97	308.04	308.12	2.5	50
TSR310	309.93	310.00	310.08	2.5	50
TSR3116	311.55	311.63	311.70	2.5	50
TSR3145	314.43	314.50	314.58	2.2	50
TSR315	314.93	315.00	315.08	2.5	50
TSR3168	316.73	316.80	316.88	2.2	50
TSR318	317.93	318.00	318.08	2.2	50
TSR3195	319.43	319.50	319.58	2.2	50
TSR325	324.93	325.00	325.08	2.2	50
TSR3351	335.03	335.10	335.18	2.2	50
TSR345	344.93	345.00	345.08	2.2	50
TSR395	394.93	395.00	395.08	2.2	50



**Tellurian® Technologies, Inc.**

1801 Hicks Road • Rolling Meadows, IL 60008 • Tel 847-934-4141 • Fax 847-934-4175  
 • Email: info@telluriantech.com • www.telluriantech.com