

F3000

CRYSTAL FILTERS

F3000 Series Crystal Filter Monolithic Crystal Filters

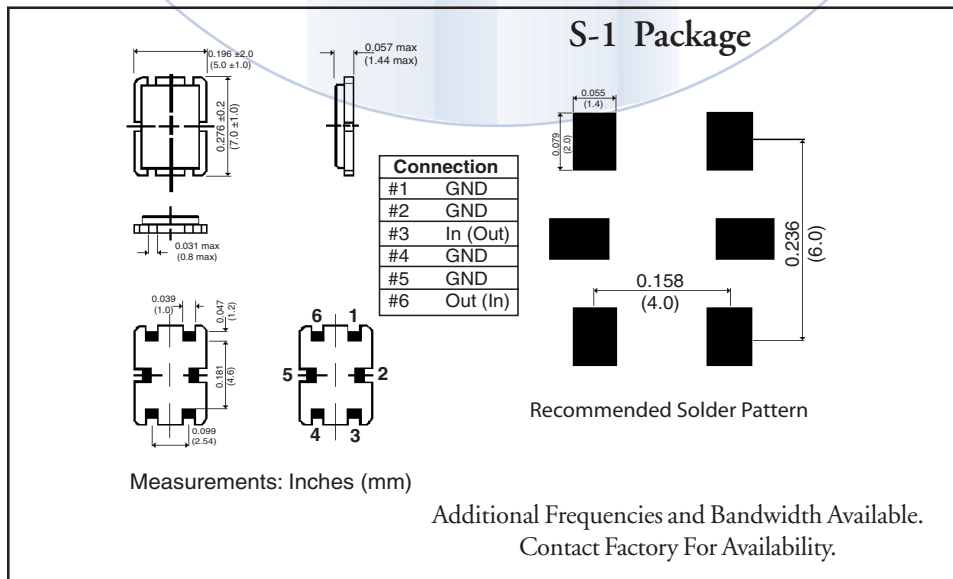
Features:

- ◆ True SMD Hermetic Package
- ◆ Ultra-Low Profile SMD Package
- ◆ Available On Tape and Reel
- ◆ Vibration and Shock Resistant
- ◆ Custom Frequencies Available
- ◆ Auto Pick and Place Compatible
- ◆ Excellent Rejection Characteristic
- ◆ Fundamental Mode

CRYSTAL FILTER: F3000 Series

CRYSTAL FILTER: F3000 Series

Model	Nominal Frequency (MHz)	Poles	Pass Band (dB kHz)	Stop Band (dB kHz)	Ripple (dB) (Max.)	Loss (dB) (Max.)	Guaranteed Attenuation (dB)	Terminating Impedance (kOhms // pF)
T17 M 15A	17.9	2	3 ± 7.5	17 ± 25.0	0.75	2.0	65	1.75 // -1.7
T21 M 7.5A	21.4	2	3 ± 3.75	18 ± 15.0	1.0	2.0	65	0.87 // 6.0
T21 M 15A	21.4	2	3 ± 7.0	18 ± 25.0	0.5	1.5	65	1.5 // 2.5
T21.7 M 7.5A	21.7	2	3 ± 3.75	18 ± 15.0	1.0	2.0	65	0.87 // 6.0
T21.7 M 15A	21.7	2	3 ± 3.75	18 ± 25.0	0.5	1.5	65	1.5 // 2.5
T45 M 15A	45.0	2	3 ± 7.5	15 ± 25.0	1.0	2.0	60	0.56 // 6.0
T45 M 30A	45.0	2	3 ± 15.0	15 ± 50.0	1.0	3.0	65	1.2 // 1.5



Tellurian® Technologies, Inc.

1801 Hicks Road • Rolling Meadows, IL 60008 • Tel 847-934-4141 • Fax 847-934-4175
• Email: info@telluriantech.com • www.telluriantech.com