



Environmental Test Conditions and Packaging

Tellurian® Technologies, Inc.

1801 Hicks Road • Rolling Meadows, IL 60008 • Tel 847-934-4141 • Fax 847-934-4175
• Email: info@telluriantech.com • www.telluriantech.com

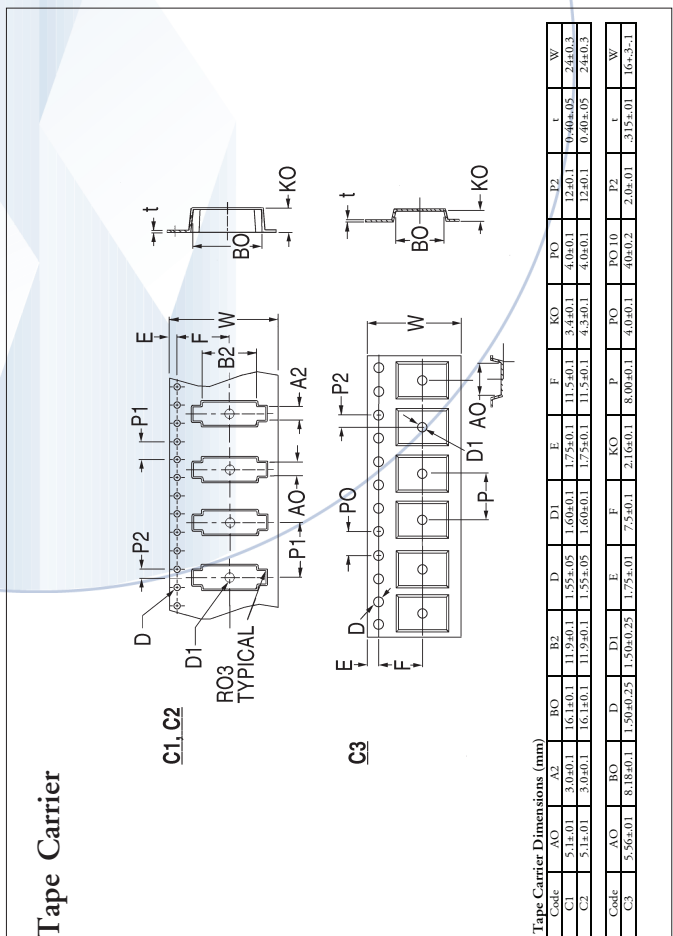
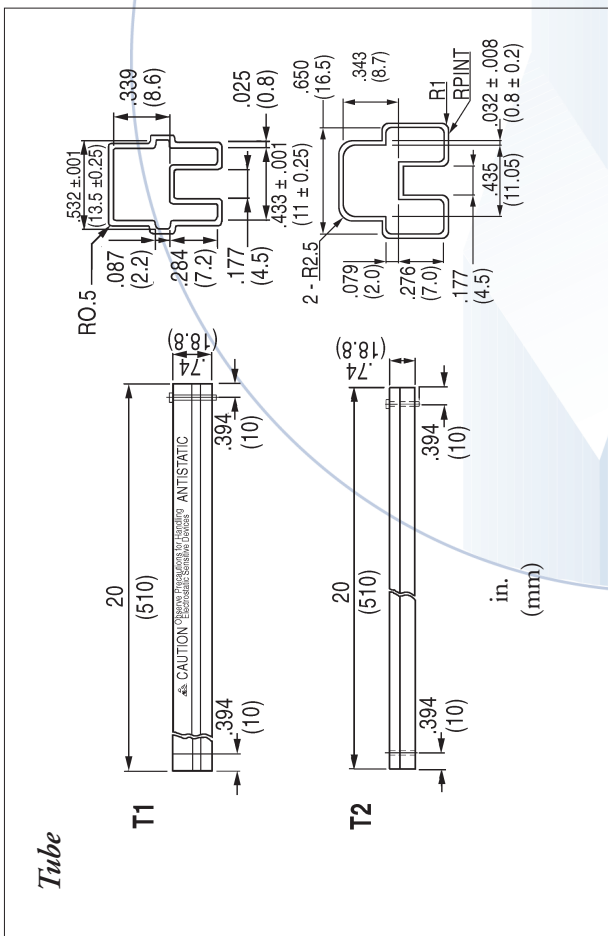
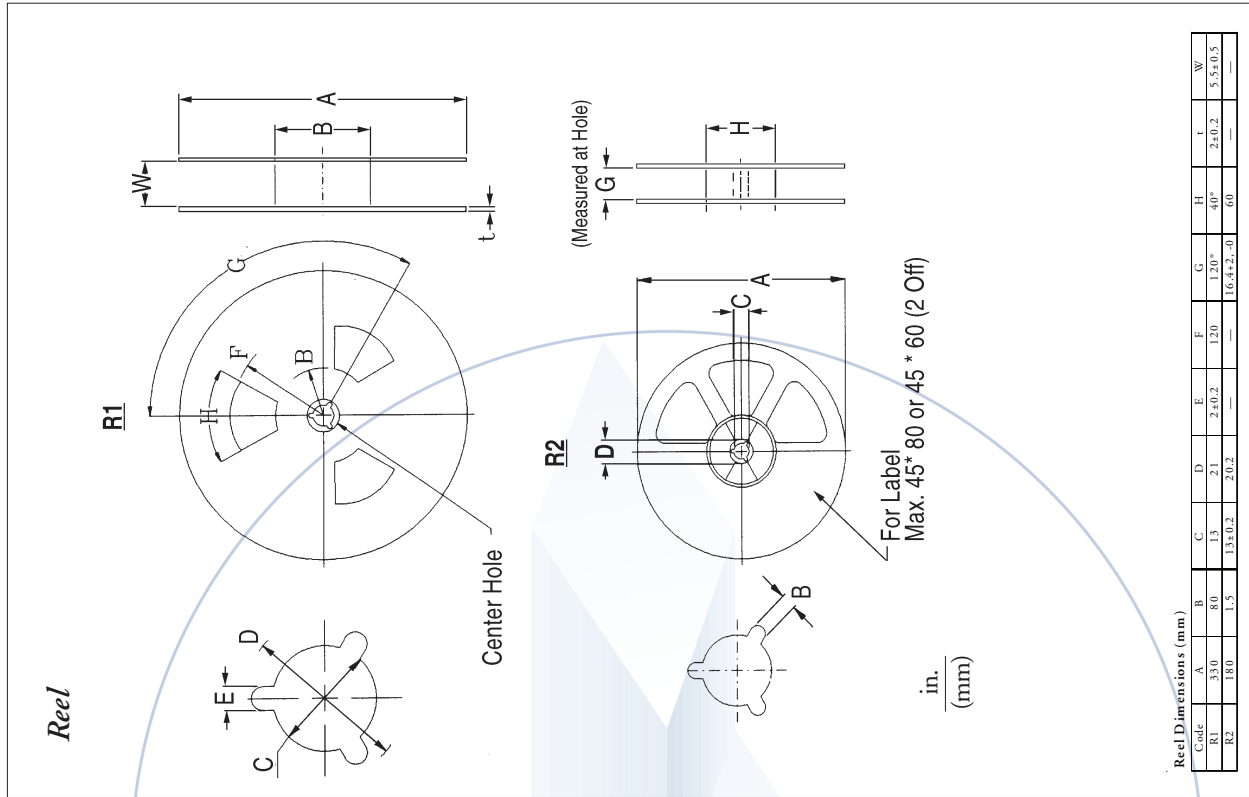


This Page Intentionally Left Blank

Tellurian® Technologies, Inc.

1801 Hicks Road • Rolling Meadows, IL 60008 • Tel 847-934-4141 • Fax 847-934-4175
• Email: info@telluriantech.com • www.telluriantech.com

Environmental Test Conditions & Packaging



Tellurian® Technologies, Inc.

1801 Hicks Road • Rolling Meadows, IL 60008 • Tel 847-934-4141 • Fax 847-934-4175

• Email: info@telluriantech.com • www.telluriantech.com

Crystals

PACKAGE	TAPE (CARRIER)	REEL	UNIT	Comments
TU1C	-	-	-	-
TU1	C15	R2	1000 pcs/reel	optional reel
	C15	R9	2000/3000 pcs/reel	optional reel
	C15	R9	5000 pcs/reel	standard reel
TU1M	C14	R2	1000 pcs/reel	optional reel
	C14	R9	2000/3000 pcs reel	optional reel
	C14	R9	5000 pcs reel	standard reel
TU1G	C10	R2	1000 pcs/reel	optional reel
	C10	R9	2000/3000 pcs reel	optional reel
	C10	R9	5000 pcs reel	standard reel
TU2	C3	R2	1000 pcs/ reel	optional reel
	C3	R9	3000 pcs/ reel	standard reel
TU2M	C5	R2	1000 pcs/reel	optional reel
	C5	R9	2000/3000 pcs reel	optional reel
	C5	R9	5000 pcs reel	standard reel
TU2B	c17	R10	2000 pcs/reel	standard reel
TU2C	C14	R2	1000 pcs/reel	optional reel
	C14	R9	2000/3000 pcs reel	optional reel
	C14	R9	5000 pcs reel	standard reel
TU2G	C4	R2	1000 pcs/ reel	optional reel
	C4	R9	3000 pcs/ reel	standard reel
TU3	A2	x	800 pcs/ ammopak	optional reel
	x	x	500 pcs/ bag	standard
TU4	A2	x	800 pcs/ ammopak	optional reel
	x	x	500 pcs/ bag	standard
TU3B	C1	R1	1000 pcs/ reel	standard reel
TU4B	C2	R1	1000 pcs/ reel	standard reel
TU3C	C8	R1	1000 pcs/ reel	standard reel
TU4C	C9	R1	1000 pcs/ reel	standard reel
TU5D	C9	R1	1000 pcs/ reel	standard reel
TUM-1	C23	R14	1000 pcs/ reel	standard reel
TUM-5	C24	R14	1000 pcs/ reel	standard reel
THC-49/U	A1	x	1000 pcs/ ammopak	optional reel
	x	x	500 pcs/ bag	standard
THC-49/U GULLWING	C25	R14	1000 pc/ reel	standard reel
T26	x	x	1000 pcs/ bag	standard
T38	x	x	1000 pcs/ bag	standard
T48S	C26	R14	1000 pcs/ reel	standard reel

Tellurian® Technologies, Inc.

1801 Hicks Road • Rolling Meadows, IL 60008 • Tel 847-934-4141 • Fax 847-934-4175
 • Email: info@telluriantech.com • www.telluriantech.com

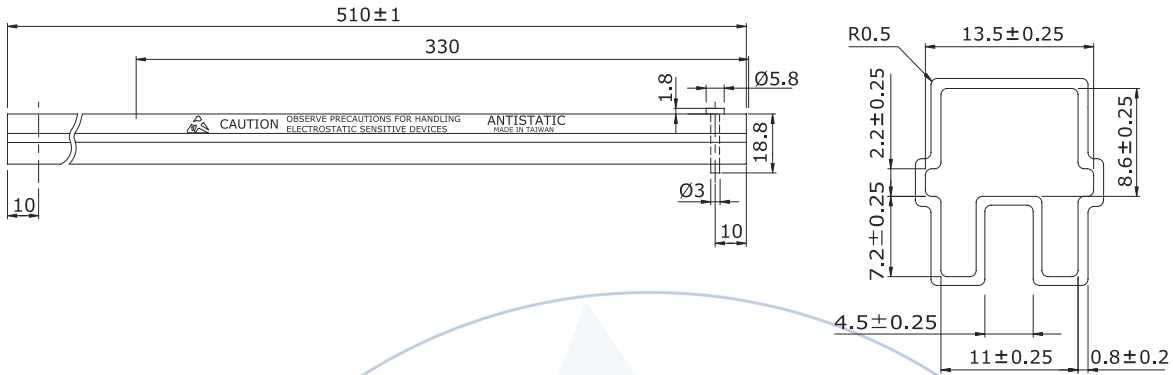
Clock Oscillators and VCXO					
Product	Tape (Carrier)	Reel	Tube	Unit	Comment
T500/V500	x	x	T1	40 pcs/ tube	tube
T1000/V1000	x	x	T1	25 pcs/ tube	tube
T500/V500 (Gullwing)	x	x	T2	40 pcs/ tube	tube
	C19	R12	x	1000 pcs/ reel	gullwing
T1000/ V1000 (Gullwing)	x	x	T2	25 pcs/ tube	tube
	C19	R12	x	1000 pcs/ reel	gullwing
T1500	x	x	T1	25 pcs/ tube	tube
T1500 (Gullwing)	x	x	T2	25 pcs/ tube	tube
	C19	R12	x	1000 pcs/ reel	gullwing
T3000, T3000LP, T3000TP, T3000P, V3000T, V3000TP	C3	R2	x	1000 pcs/ reel	standard reel
	C3	R9	x	3000 pcs/ reel	optional reel
T4000	C14	R2	x	1000 pcs/ reel	standard reel
	C14	R9	x	2000/3000 pcs/ reel	optional reel
	C14	R9	x	5000 pcs/ reel	optional reel

TCXO / VCTCXO				
Product	Tape (Carrier)	Reel	Unit	Comment
TT1000 VT1000	x	x	x	bulk
TT1000S VT1000S	C25	R15	500 pcs/ reel	standard reel
TT1900S VT1900S	C7	R6	500 pcs/ reel	standard reel
TT1900M VT1900M Series	C21	R6	1000 pcs/ reel	standard reel
TT3000 VT3000	C3	R2	1000 pcs/ reel	standard reel
	C3	R9	3000 pcs/ reel	optional reel
TT4000 VT4000	C14	R2	1000 pcs/ reel	standard reel
	C14	R9	2000/3000 pcs/ reel	optional reel
	C14	R9	5000 pcs/ reel	optional reel

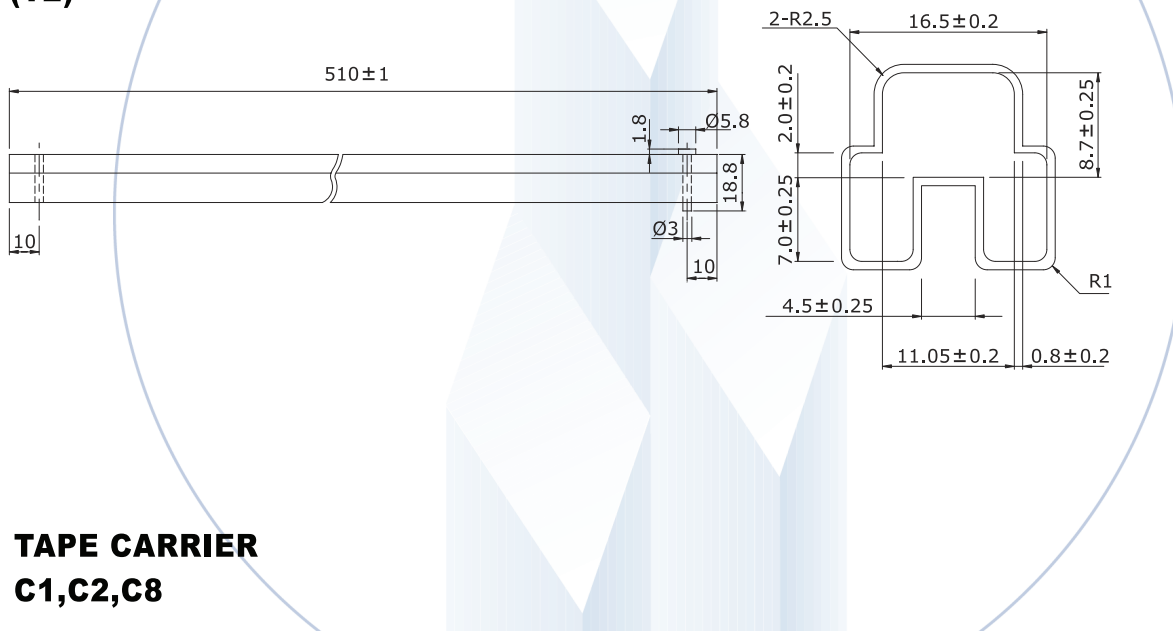
Tellurian® Technologies, Inc.

1801 Hicks Road • Rolling Meadows, IL 60008 • Tel 847-934-4141 • Fax 847-934-4175
 • Email: info@telluriantech.com • www.telluriantech.com

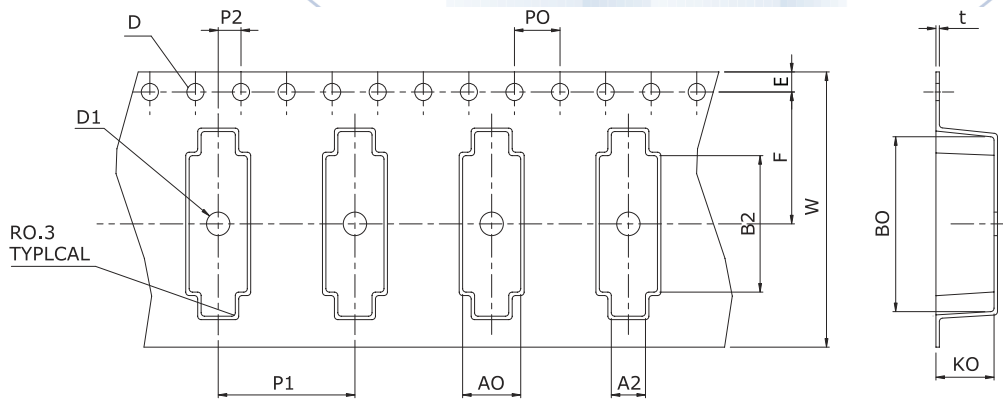
TUBE Dimensions Unit:mm
(T1)



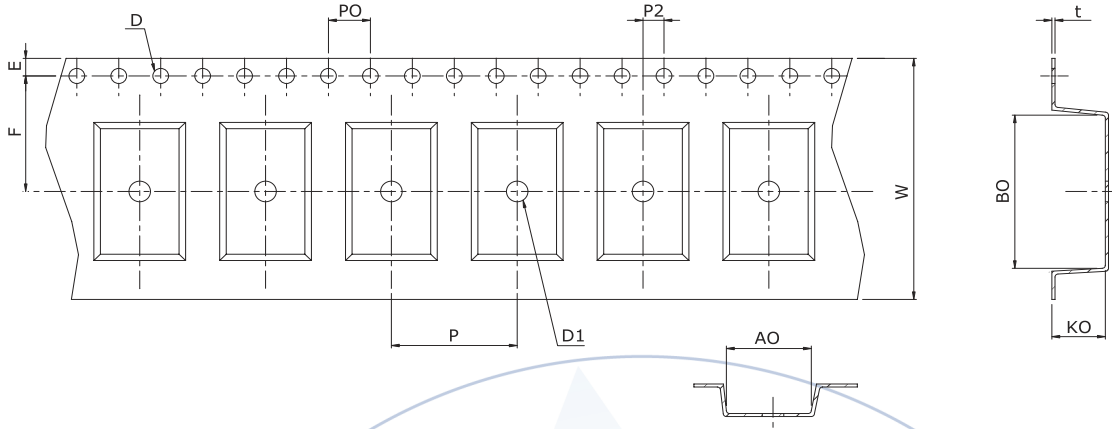
(T2)



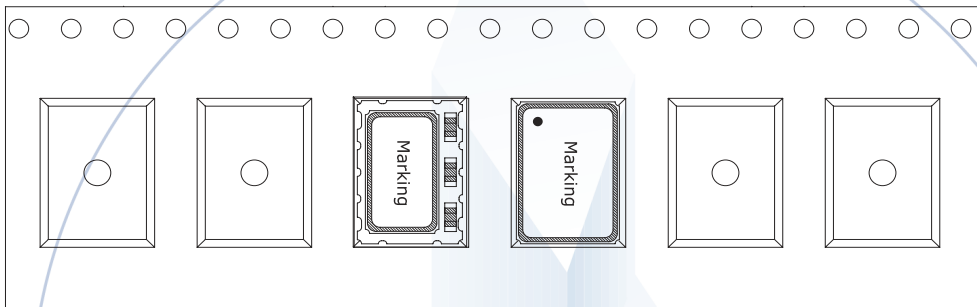
TAPE CARRIER
C1,C2,C8



C3,C4,C5,C6,C7,C9,C10,C11,C12,C13,C14,C15,C16,C17,C18,C19,C20, C21, C22

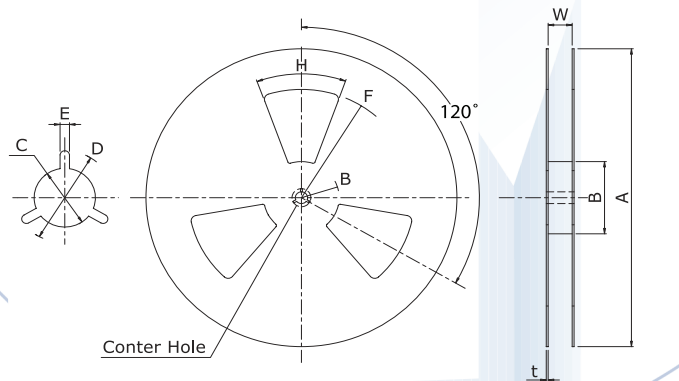


THE DIRECTION OF PACKING

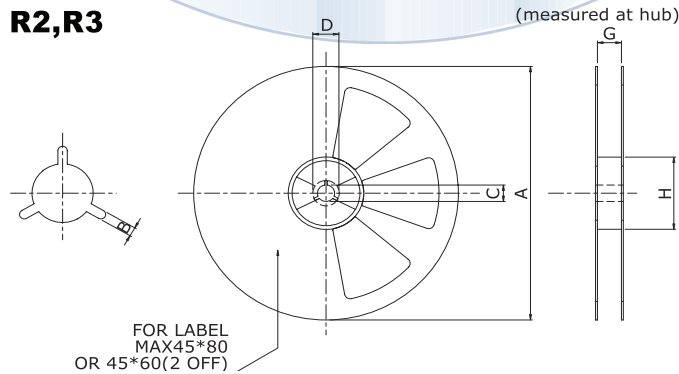


REEL

R1,R4,R5,R6,R7,R8,R9,R10,R11,R12



R2,R3

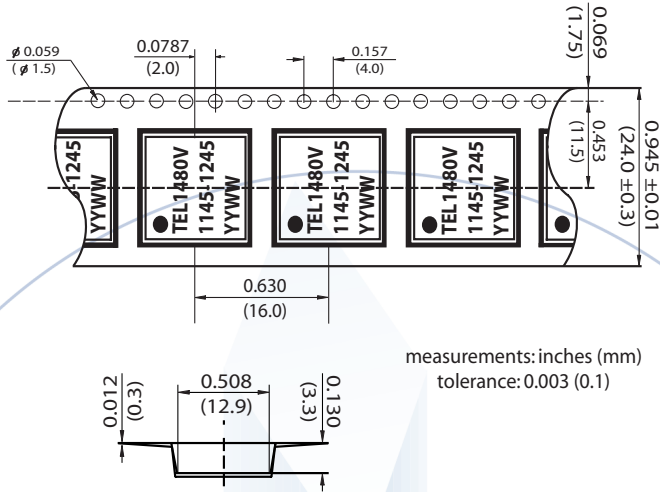


Tellurian® Technologies, Inc.

1801 Hicks Road • Rolling Meadows, IL 60008 • Tel 847-934-4141 • Fax 847-934-4175
 • Email: info@telluriantech.com • www.telluriantech.com

Environmental Test Conditions & Packaging

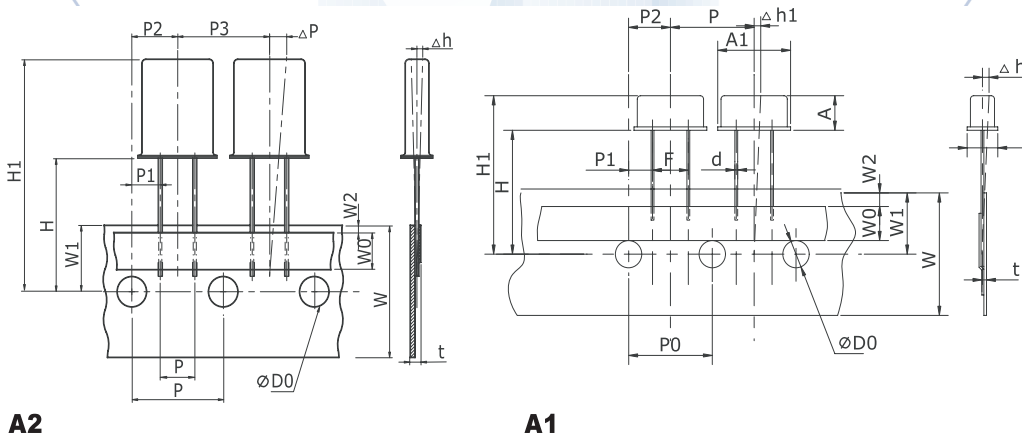
VCO 1000 TAPE



Plastic Bag



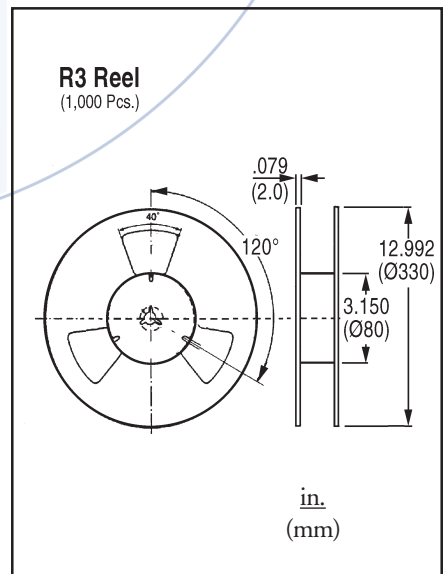
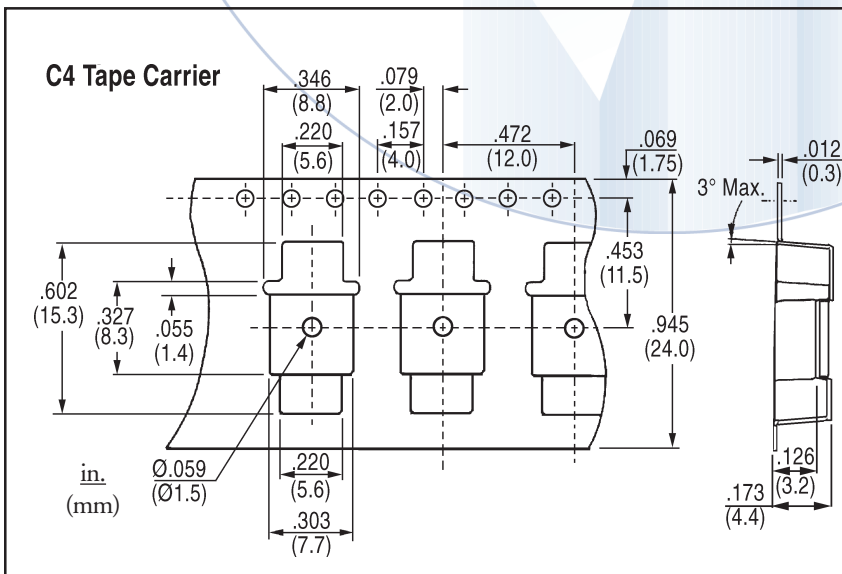
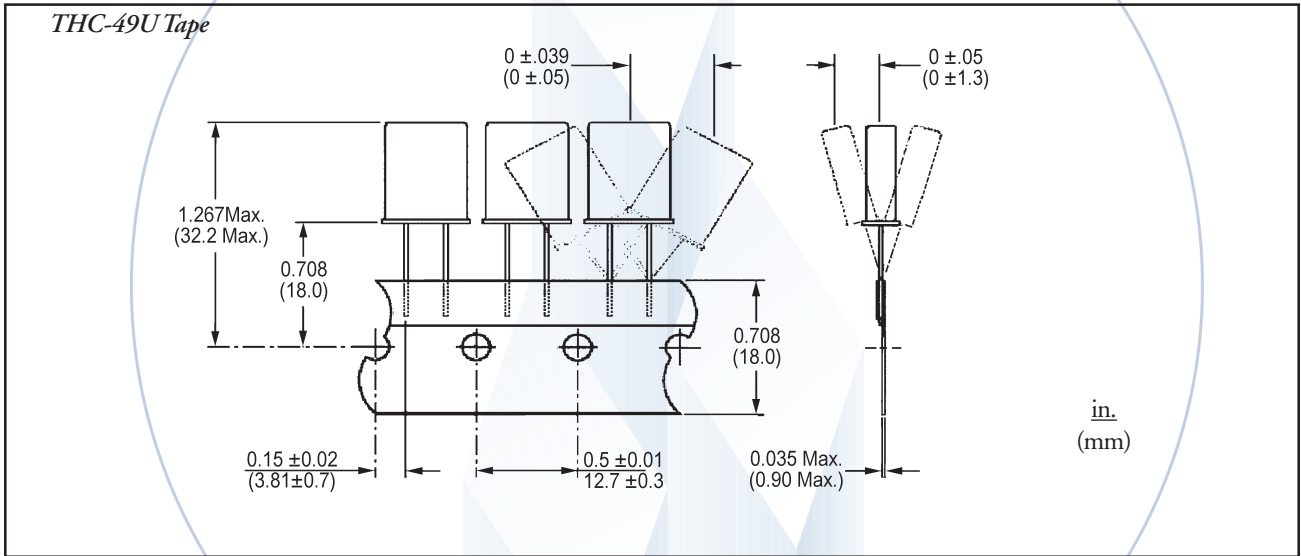
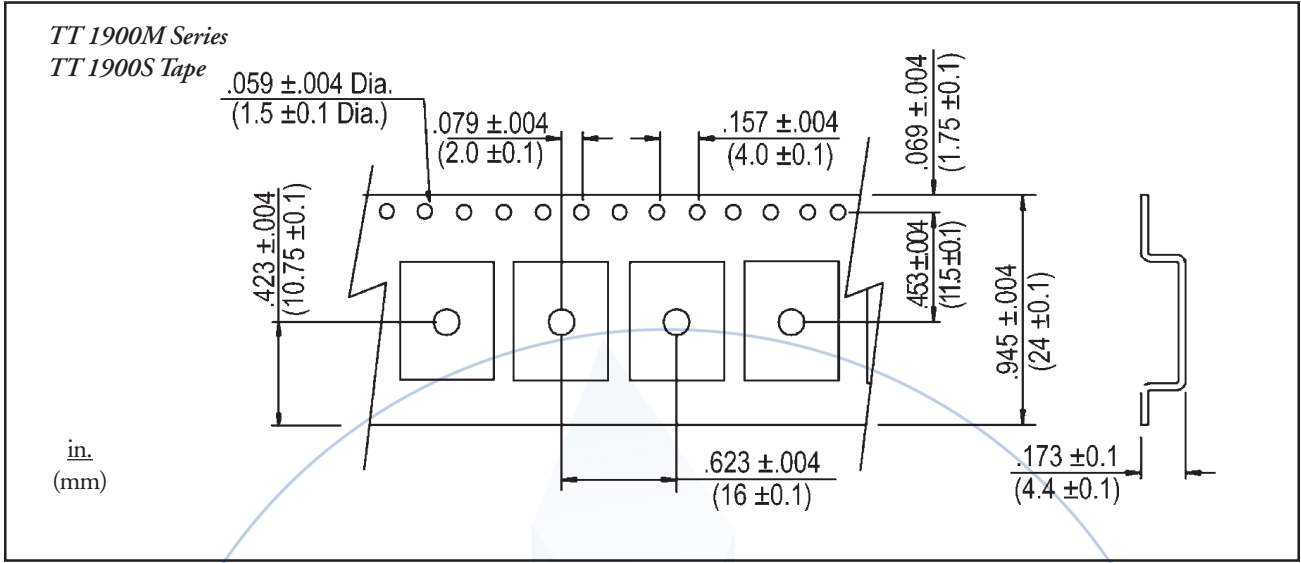
AMMOPAK



Tellurian® Technologies, Inc.

1801 Hicks Road • Rolling Meadows, IL 60008 • Tel 847-934-4141 • Fax 847-934-4175
• Email: info@telluriantech.com • www.telluriantech.com

Environmental Test Conditions & Packaging



Tellurian® Technologies, Inc.

1801 Hicks Road • Rolling Meadows, IL 60008 • Tel 847-934-4141 • Fax 847-934-4175

• Email: info@telluriantech.com • www.telluriantech.com

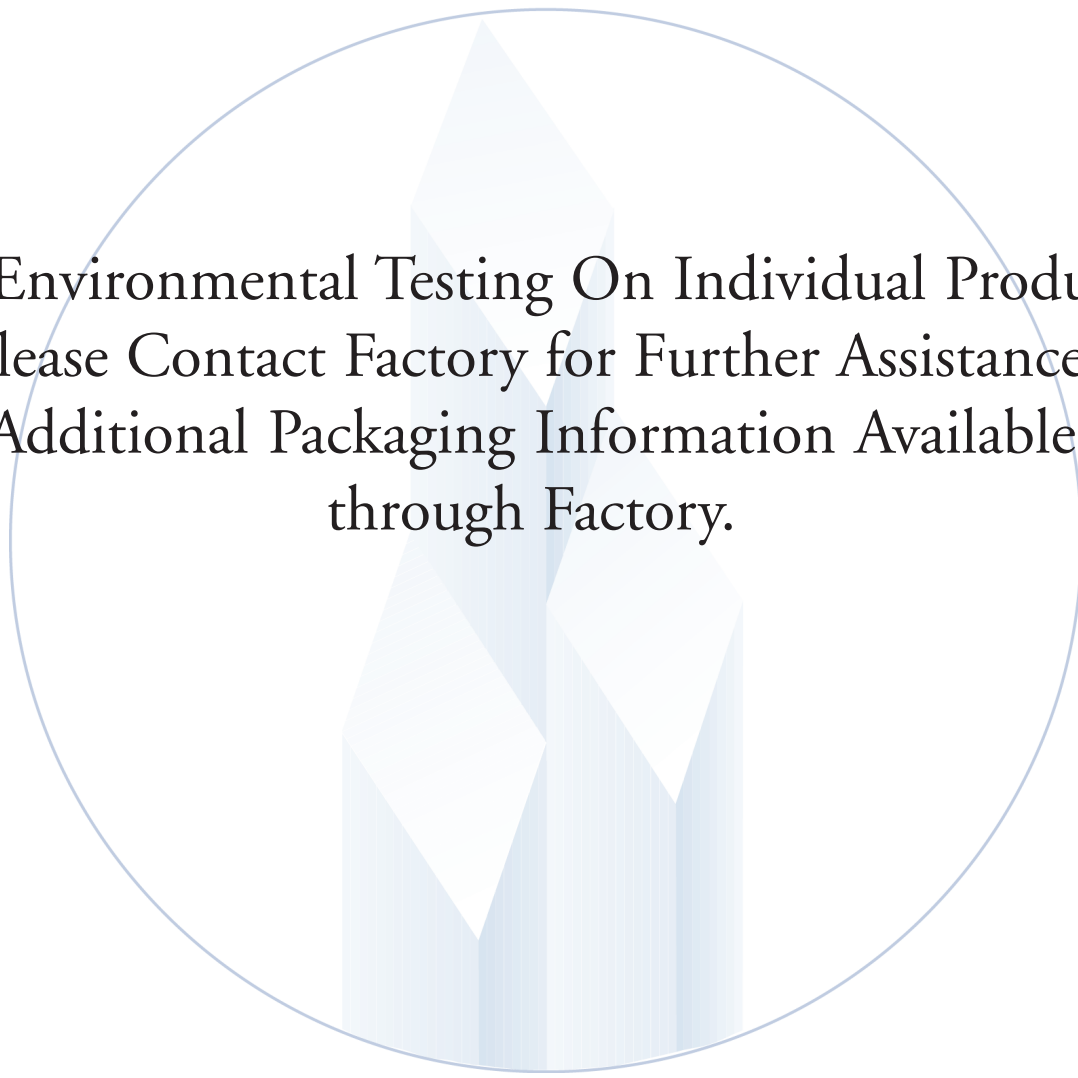
Environmental Test Conditions & Packaging

Terminology & Test Conditions

ENVIRONMENTAL	CODE	TEST CONDITIONS	REFERENCE STD.
THERMAL SHOCK	A1	55°C to +125°C, each temperature 5 mins, 35 cycles.	MIL-STD-883D 1011.9, condition B.
THERMAL SHOCK	A2	55°C to +125°C, each temperature 5 mins, 300 cycles.	MIL-STD-883D 1011.9, condition B.
FINE LEAK	B	Mass spectrometer leak rate less than 2×10^{-8} ATM cc/sec of helium.	MIL-STD-883D 1014.9, condition A.
GROSS LEAK	C	All units leak tested in deionized water. Vacuum degree: 70cm/Hg (700 torr).	
HIGH TEMPERATURE HUMIDITY STORAGE	D	85°C, 85% relative humidity, 500hrs	
AGING	E	+25°C, +85°C, +125°C, test time period 1, 2, 4, 7, 10, 20, 50, 100 days	
MECHANICAL SHOCK	F1	500g, half-sine, 1.0ms, 3 directions 3 times	MIL-STD-883D 2002.3, condition A.
MECHANICAL SHOCK	F2	1500g, half-sine, 0.5ms, 3 directions 3 times	MIL-STD-883D 2002.3, condition B.
MECHANICAL SHOCK	F3	5000g, half-sine, 0.3ms, 3 directions 3 times.	MIL-STD-883D 2002.3, condition D.
VIBRATION	G	55-2000Hz, 1.25mm, 20G, 20mins, X,Y,Z, each direction 4Hrs sinewave	MIL-STD-883D 2005.2, condition A.
RESISTANCE TO			
SOLDERING HEAT	H	260°C \pm 5°C, 10 \pm 1 sec.	MIL-STD-202F 210B, condition B.
Solderability	I	245°C \pm 5°C, 5 \pm 0.5 sec.	MIL-STD-883D 2003.7
STEAM AGING	J	100°C 1 hour	
RESISTANCE TO SOLVENT	K	165°C, 3 mins in deionized water. 2.5 mins in freon.	MIL-STD-202E 215
BEND TEST	L	Pins will withstand maximum 3 bend of 90°, reference.	
SEAL STRENGTH	M	2 lbs. max. force perpendicular to top and bottom	

Tellurian® Technologies, Inc.

1801 Hicks Road • Rolling Meadows, IL 60008 • Tel 847-934-4141 • Fax 847-934-4175
 • Email: info@telluriantech.com • www.telluriantech.com



For Environmental Testing On Individual Products,
Please Contact Factory for Further Assistance.
Additional Packaging Information Available
through Factory.

Tellurian® Technologies, Inc.

1801 Hicks Road • Rolling Meadows, IL 60008 • Tel 847-934-4141 • Fax 847-934-4175
• Email: info@telluriantech.com • www.telluriantech.com