



T18S
SMD

RoHS Complaint Standard

CRYSTAL UNITS

T18S/T41S

Tuning Fork Crystal

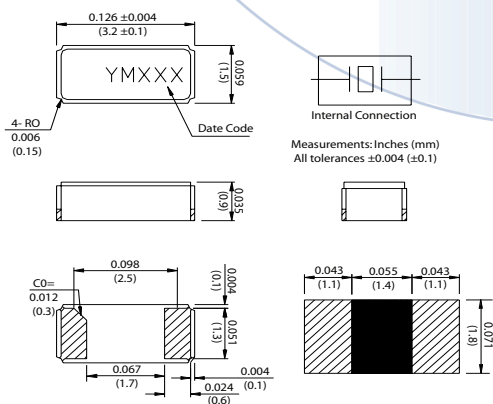


T41S
SMD

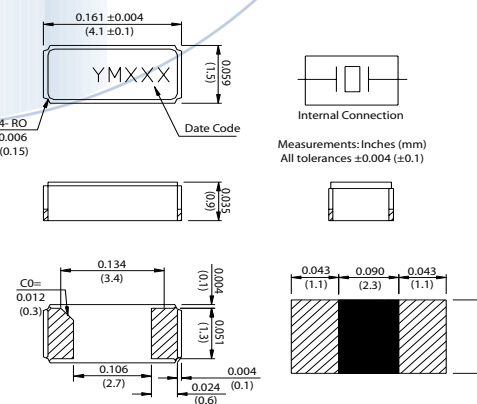
Model: T18S/T41S Specifications

Frequency	32.768kHz
Temperature Range	-20 to 70°C or -40 to 85°C
Frequency Tolerance	±20 ppm
Frequency Stability	±100 ppm (-20 to 70°C) ±150 ppm (-40 to 85°C)
Temperature Turnover	25°C ±5°C
Load Capacitance	9.0 or 12.5pF (Typical)
Drive Level	0.1μW typ. 0.5μW max.
Series Resistance	70KOhms max.
Q-Factor	30000 Q (Typical)
Turnover Temperature	25°C, ±5°C
Parabolic Curvature Constant	-0.034 ppm/°C ² ±0.006 ppm
Shunt Capacitance	1.05pF (Typical)
Aging (first year)	±3 ppm (Typical)
Storage Temperature Range	-55 to +125°C

T18S Package



T41S Package



CRYSTAL: T18S/T41S Series Tuning Fork

CRYSTAL: T18S/T41S Series Tuning Fork

Tellurian® Technologies, Inc.

1801 Hicks Road • Rolling Meadows, IL 60008 • Tel 847-934-4141 • Fax 847-934-4175

• Email: info@telluriantech.com • www.telluriantech.com