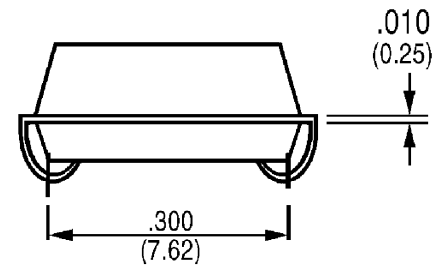
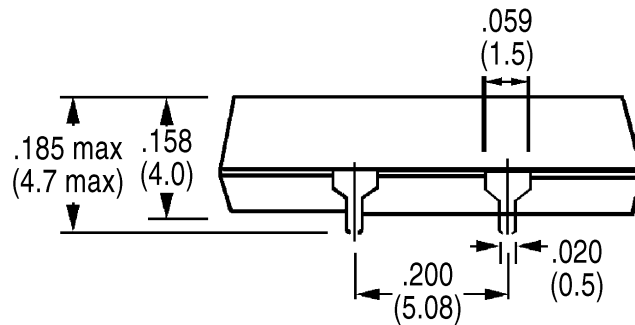


SOLDER PAD LAYOUT



TELLURIAN[®]
TECHNOLOGIES, INC.
 1801 Hicks Road, Ste. B • Rolling Meadows, IL 60008
 Tel: 847-934-4141 • Fax: 847-934-4175 • info@telluriantech.com

UNLESS OTHERWISE SPECIFIED,
 DIMENSIONS ARE IN INCHES (MM).
 DO NOT SCALE

DRAWN BY
 CHKD BY
 APPD BY
 DATE: 01/12/99

SIZE
A
 SCALE:

PART NAME
 Clock Oscillator, Plastic
 SMD, J lead Package

PRODUCT FEATURES
 Plastic package
 Tape and reel available for automatic assembly

CUSTOMER
 DRAWING NO. T2000
 REV