



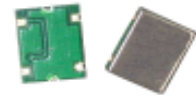
TT1900M1
(with trimmer)

RoHS Complaint Optional

TCXOs, VCTCXOs

TT~VT1900M Series TCXO/VCTCXO

Very Low Profile, SMD



TT1900M2
(no trimmer)

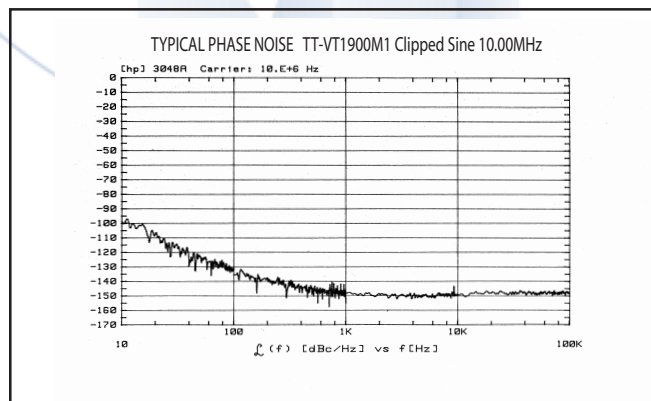
Features:

- ◆ True SMD package
- ◆ Excellent Phase Noise
- ◆ Tape and Reel Available
- ◆ Low Voltage Available

Model: TT/VT1900M Family Specifications

Parameter	TCXO	VCTCXO
Frequency Range	10.00 - 40.00MHz	
Operating Temperature Range	-20 ~ 70°C to -40 ~ 85°C	
Frequency vs. Temperature	±1.0, 1.5, 2.0, and 2.5 ppm	
Stability vs. Voltage	±0.3 ppm	
vs. Aging	±1.0ppm / Year	
vs. Room (+25°C)	±0.5 ppm (±2.0 ppm no trimmer)	
Supply Voltage	+2.7, +3V or +5V @ ±5%	
Current Consumption	2.0mA Max.	
Output	Clipped Sine	
Load	10 kΩ / 10 pF	
Frequency Adjustment Trimmer	±3.0ppm Min. (Note 1)	
Deviation	±1.5ppm / Volt Min.	
Control Voltage (VCTCXO Only)	±5 ~ 14ppm	
Frequency Deviation (VCTCXO Only)	2.5 V ±2.0V (5V) 1.65 ±1.0 (3.3)	

Note 1: VT1900M2 deletes trimmer.



SEE NEXT PAGE FOR DRAWING

Tellurian® Technologies, Inc.

1801 Hicks Road • Rolling Meadows, IL 60008 • Tel 847-934-4141 • Fax 847-934-4175
 • Email: info@telluriantech.com • www.telluriantech.com

TCXOs~VCTCXOs: TT/VT 1900M Series

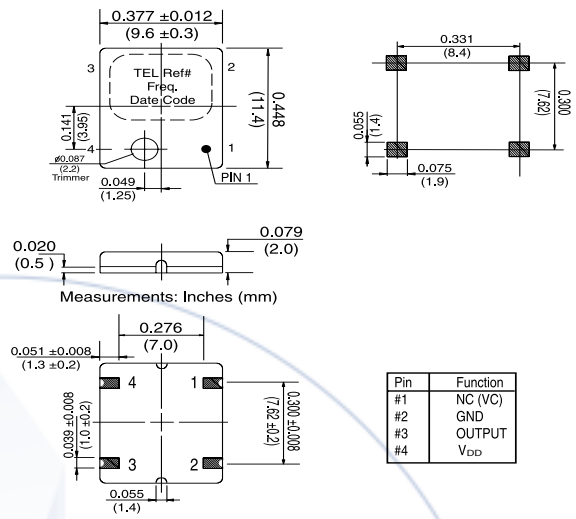
TCXOs~VCTCXOs: TT/VT 1900M Series

TCXOs, VCTCXOs

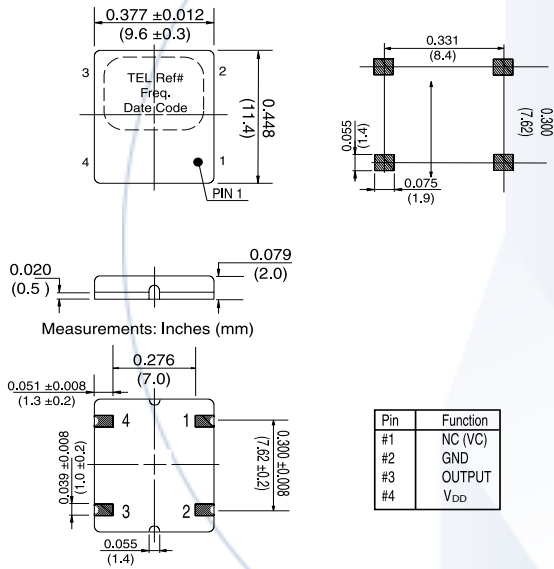
TCXOs~VCTCXOs: TT/VT 1900M Series

TCXOs~VCTCXOs: TT/VT 1900M Series

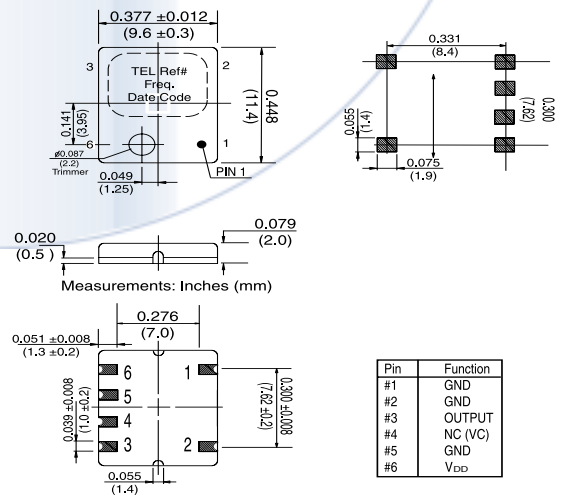
TT-VT1900M1 Package



TT-VT1900M2 Package



TT-VT1900M3 Package



Tellurian® Technologies, Inc.

1801 Hicks Road • Rolling Meadows, IL 60008 • Tel 847-934-4141 • Fax 847-934-4175

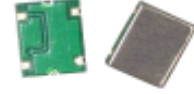
• Email: info@telluriantech.com • www.telluriantech.com



TT1900M1
(with trimmer)

RoHS Complaint Optional

TCXOs, VCTCXOs TT~VT1900M Series TCXO/VCTCXO HCMOS, SMD



TT1900M2
(no trimmer)

Features:

- ❖ True SMD package
- ❖ Excellent Phase Noise
- ❖ Tape and Reel Available
- ❖ Low Voltage Available

TCXOs~VCTCXOs: TT/VT 1900M Series HCMOS

TCXOs~VCTCXOs: TT/VT 1900M Series HCMOS

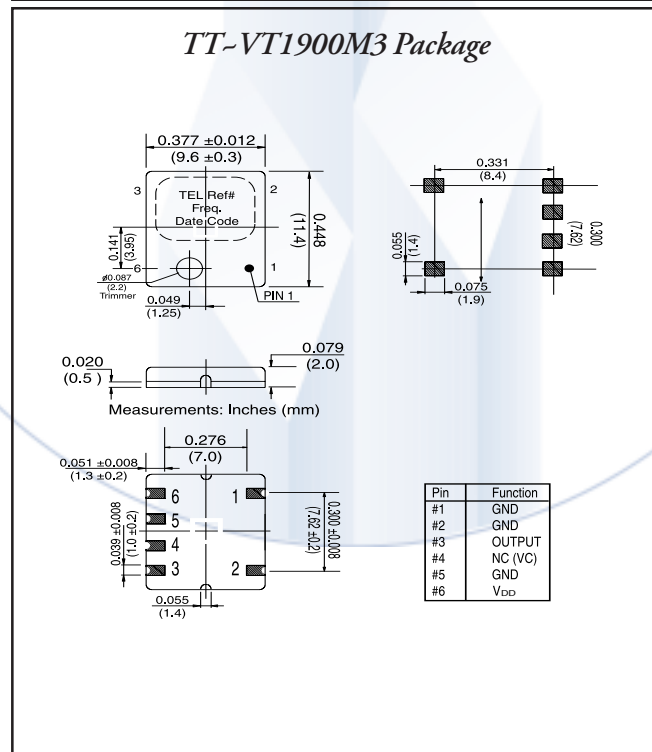
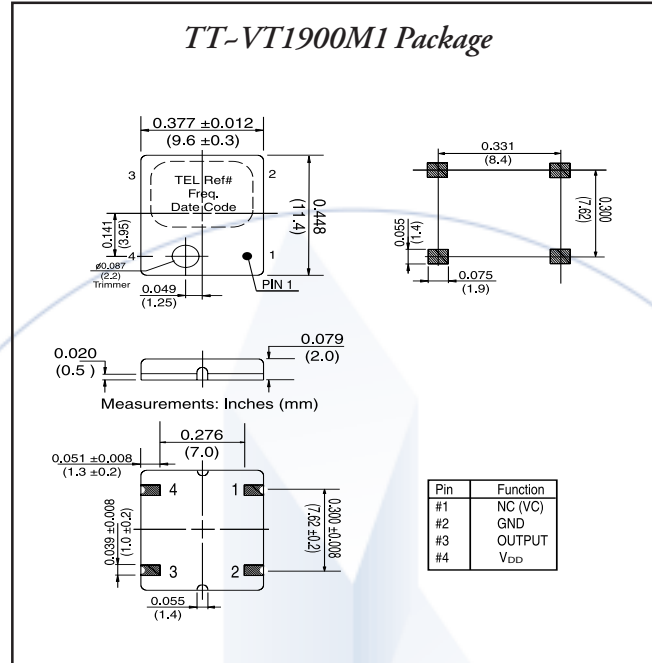
Model: TT/VT1900M Family Specifications

Parameter	TCXO	VCTCXO
Frequency Range	10.00 - 50.00MHz	
Operating Temperature Range	See Table	
Frequency vs Tolerance @ 25°C	±2.0 ppm max.	
Stability vs. Temperature	See Table	
vs. Voltage	±0.5 ppm max.	
vs. Aging	±1.0 ppm/ Year	
Supply Voltage	+3.0, +3.3V or +5V @ ±5%	
Current Consumption	20 mA Max.	
Output	HCMOS	
Load	15 pF	
Input Impedance	100 kΩ min.	
Output Voltage Level	Voh: 0.9 Vcc min. // Vol: 0.1 Vcc max.	
Output Symmetry	40% to 60%	
Phase Noise	-135 dBc max. @ 1 kHz	
Frequency Adjustment (Trimmer)	±3.0 ppm min.	
Control Voltage (VCTCXO Only)	2.5 V ±2.0V (5V) 1.65 ±1.0 (3.3/3.0)	
Frequency Deviation (VCTCXO Only)	±20 ppm min.	

Temperature	Stability (ppm)
-30 to 85°C	±2.0, ±2.5
-40 to 85°C	±2.5

SEE NEXT PAGE FOR DRAWING

TCXOs, VCTCXOs
TT~VT1900M Series
TCXO/VCTCXO



Tellurian® Technologies, Inc.

1801 Hicks Road • Rolling Meadows, IL 60008 • Tel 847-934-4141 • Fax 847-934-4175
 • Email: info@telluriantech.com • www.telluriantech.com