



TT1900S

RoHS Complaint Optional

TCXOs, VCTCXOs

TT~VT1900S Series TCXO/VCTCXO

Very Low Profile, SMD

Features:

- ◆ Very low profile
- ◆ Ultra-miniature SMD package
- ◆ Excellent phase noise performance
- ◆ Automatic insertion compatible
- ◆ +3.3 volt operation available
- ◆ Tape and reel available
- ◆ Low current drain
- ◆ Tighter stabilities available

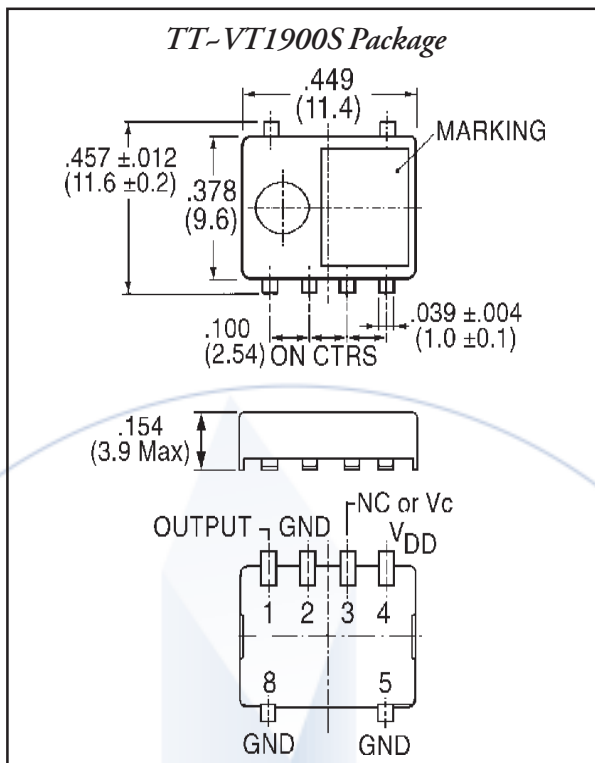
Model: TT~VT 1900S Specification

Parameter	Clipped Sine	HCMOS
Frequency Range	10.00 - 27.00MHz	1.25 to 27.00 MHz
Operating Temp. Range	See Table	
Frequency Stability	See Table	
vs Temperature Range	See Table	
vs Voltage	±0.3 ppm max.	
vs Load	± 0.3 ppm max.	
Supply Voltage	+3.3 Volts / +5.0 Volts ±5%	
Load	10K ohms//10pF	15pF
Output Voltage	See Table	
Logic High	1.0 V p-p min (5V)	90% of min.
Logic Low	0.8 p-p min. (3.3V)	10% of max.
Input Current	See Table	
@ 3.3 Volts	1.5 mA max.	15 mA max.
@ 5.0 Volts	2.0 mA max.	20 mA max.
Rise/ Fall Time	---	5 ns max.
Duty Cycle	---	50 ±10%
Frequency Adjustment Trimmer	±3.0 ppm min.	
Control Voltage (VCTCXO Only)	2.5V ±2.0V (5V) 1.65V ±1.0V (3.3V)	
Frequency Deviation (VCTCXO)	±5.0 ppm min.	
Aging	±1.0 ppm/ year	

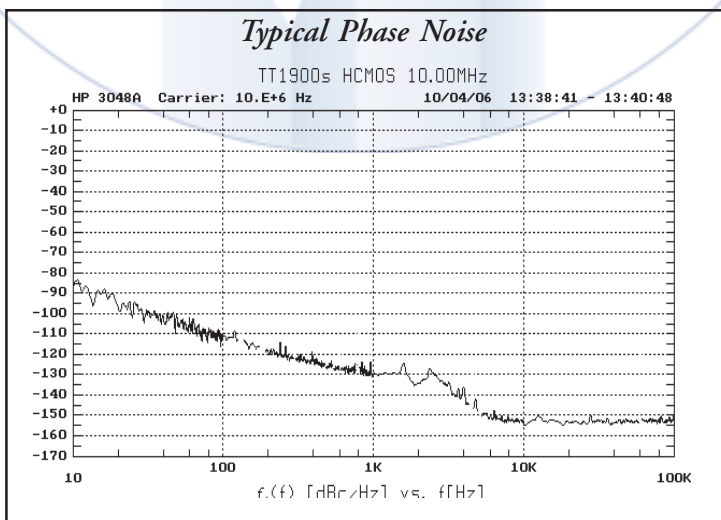
TCXOs~VCTCXOs: TT/VT 1900S Series

TCXOs~VCTCXOs: TT/VT 1900S Series

See Next Page For Drawing



Temperature	Stability (ppm)
0 to 55°C	±1.0, ±1.5, ±2.0, ±2.5 to ±5.0
-10 to 60°C	±1.0, ±1.5, ±2.0, ±2.5 to ±5.0
-20 to 70°C	±1.0, ±1.5, ±2.0, ±2.5 to ±5.0
-30 to 85°C	±1.5, ±2.0, ±2.5 to ±5.0
-40 to 85°C	±1.5, ±2.0, ±2.5 to ±5.0



Tellurian® Technologies, Inc.

1801 Hicks Road • Rolling Meadows, IL 60008 • Tel 847-934-4141 • Fax 847-934-4175
 • Email: info@telluriantech.com • www.telluriantech.com