



TU1G

*RoHS Complaint Optional*

# CRYSTAL UNITS

## TU1G Series Crystal

### Ceramic, SMD

**Features:**

- ◆ Low Cost Ceramic Alternative
- ◆ VP/ IR solder re-flow compatible
- ◆ Hermetic Seal
- ◆ Ultra-miniature, low profile package
- ◆ Rugged and reliable
- ◆ Perfect for PCMCIA, wireless modems

**Model: TU1G Specification**

Frequency Range	10.00 ~ 60.0 MHz
Frequency Tolerance	±30 to ±100 ppm
Frequency Stability	See Table
Operating Temperature Range	See Table
Storage Temperature Range	-40 to +85°C
Load Capacitance	Series, 16, 20, 30, or 32 pF
Shunt Capacitance	7pF max.
Mode of Vibration	See Table
Equivalent Series Resistance	See Table
Drive Level	100 μW Typical
Aging	±5 ppm / Year Max.

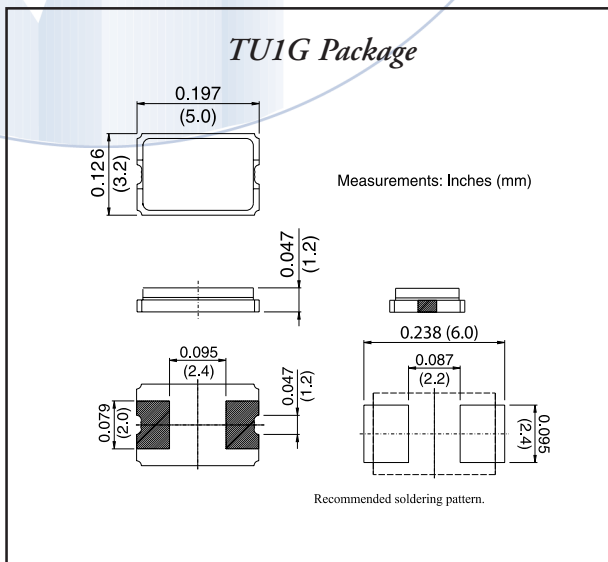
*CRYSTAL: TU1G Series Crystal*

*CRYSTAL: TU1G Series Crystal*

Frequency (MHz)	Mode	ESR max. (Ω)
10.00 to 16.00	AT1	150
16.00 to 20.00	AT1	100
20.00 to 30.00	AT1	70
30.00 to 50.00	AT1	50
30.00 to 60.00	BT1	70

AT1      AT cut Fundamental  
BT1      BT cut 3rd Overtone

Temperature	Stability (ppm)
-10 to 60°C	±5, ±10, ±15, ±20, ±25, ±30
-20 to 70°C	±10, ±15, ±20, ±25, ±30
-40 to 85°C	±20, ±25, ±30



**Tellurian® Technologies, Inc.**

1801 Hicks Road • Rolling Meadows, IL 60008 • Tel 847-934-4141 • Fax 847-934-4175  
• Email: info@telluriantech.com • www.telluriantech.com