

CRYSTAL UNITS

TU2G Series Crystal

Ceramic, SMD



TU2G

RoHS Complaint Optional

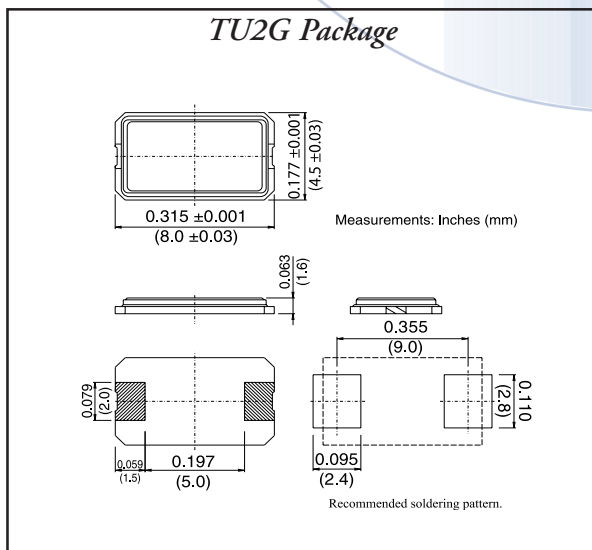
Features:

- ◆ Low Cost Ceramic Alternative
- ◆ VP/ IR solder re-flow compatible
- ◆ Hermetic Seal
- ◆ 16 mm Width Tape and Reel available for automatic assembly
- ◆ Ultra-miniature, low profile package
- ◆ Automotive Application Use
- ◆ Perfect for PCMCIA, wireless modems

Model: TU2G Specification

Frequency Range	7.3728 - 70.00 MHz
Frequency Tolerance	±10 to ±100 ppm
Frequency Stability	See Table
Operating Temperature Range	See Table
Storage Temperature Range	-55 to +125°C
Load Capacitance	Series, 16, 20, 30, or 32 pF
Shunt Capacitance	7pF max.
Mode of Vibration	See Table
Equivalent Series Resistance	See Table
Drive Level	100 μW Typical
Aging	±5 ppm / Year Max.

TU2G Package



Frequency (MHz)	Mode	ESR max. (Ω)
Freq. to 11.00	AT1	110
11.00 to 12.00	AT1	80
12.00 to 14.00	AT1	65
14.00 to 18.00	AT1	50
18.00 to 32.00	AT1	30
32.00 to 48.00	AT3	130
48.00 to 70.00	AT3	115
28.00 to 90.00	BT1	40

AT1= AT Cut, Fundamental
 AT3= AT Cut 3rd Overtone
 BT1= BT Cut Fundamental

Temperature	Stability (ppm)
-10 to 60°C	±5, ±10, ±15, ±20, ±25, ±30
-20 to 70°C	±10, ±15, ±20, ±25, ±30
-40 to 85°C	±20, ±25, ±30

CRYSTAL: TU2G Series Crystal

CRYSTAL: TU2G Series Crystal

Tellurian® Technologies, Inc.

1801 Hicks Road • Rolling Meadows, IL 60008 • Tel 847-934-4141 • Fax 847-934-4175

• Email: info@telluriantech.com • www.telluriantech.com